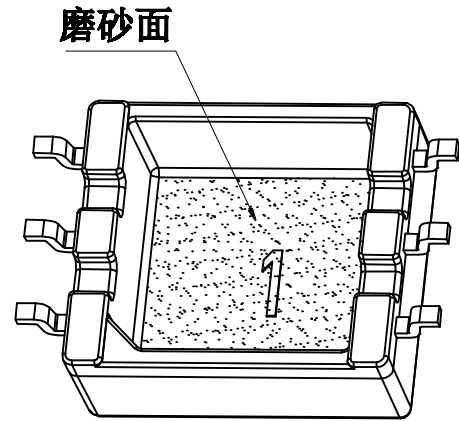
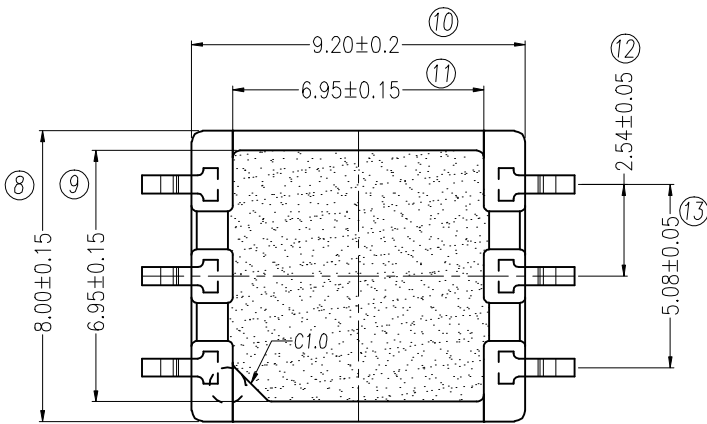
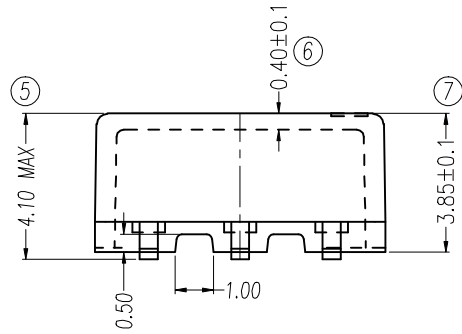
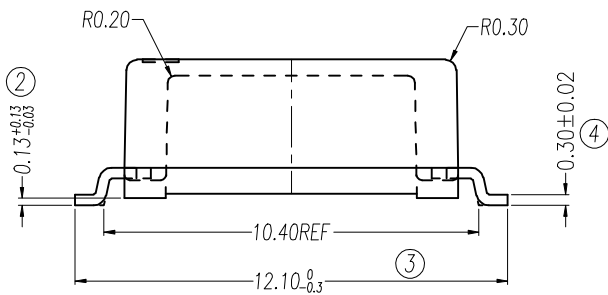
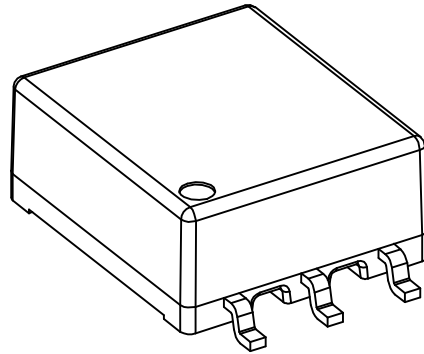
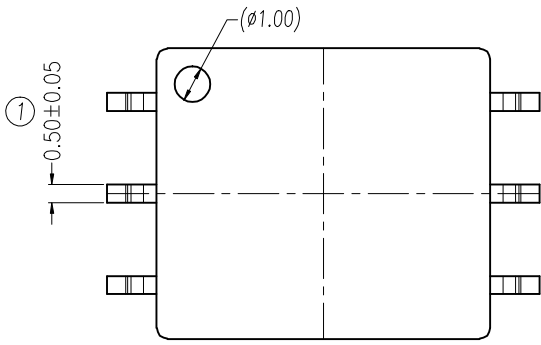



ZXS-4B



备注:

1. 材质:DAP WH-9100/C5191-H T=030mm.
2. 电镀要求: Ni-(镀镍2.0~3.0um), Sn-(镀雾锡4.0~6.0um). (截面覆锡)
3. PIN焊前1.0kg min,焊后1.5kg min.
4. 满足RoHS. REACH环保要求.

项次	REVISIONS	REC.	DATE	项次	REVISIONS	REC.	DATE
1				4			
2				5			
3				6			
DRAWN & DRAFTED BY	LIU WEI QIANG		TOLERANCES	ANGLE:	TITLE: 0403(CASE-6P)		
CHECKED & APPROVED BY	LIN JUN		0<L≤4 ±0.1 4<L≤16 ±0.2 16<L≤63 ±0.3	pin pitch ±0.2	UNIT:	BOBBIN MATERIAL: WH-9100	
				SCALE:	PIN MATERIAL:	UL REC. UL 94V-0	
					C5191-H	PIN TENSION LOAD: 1.0KG MIN	
 智信电子塑胶有限公司 ZHI XIN ELECTRONICS PLASTIC CO., LTD. TEL:0769-86389901-2 FAX:0769-86389903				DATE:	2025.03.31	DRAWING NO.	ZXS-4B
						REV.	A01