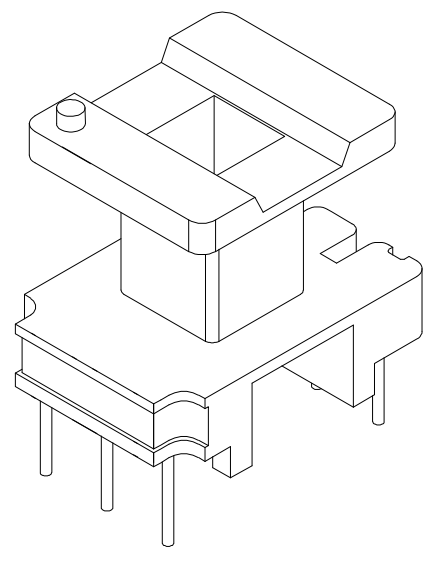
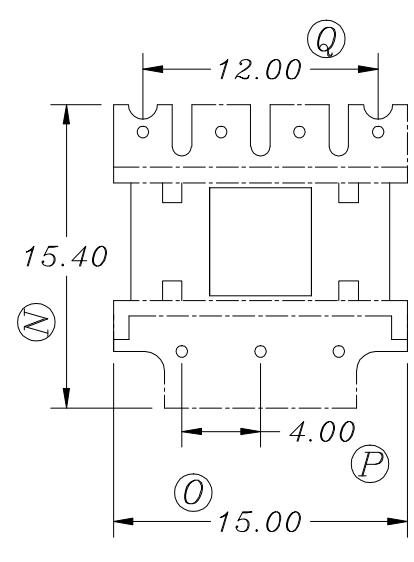
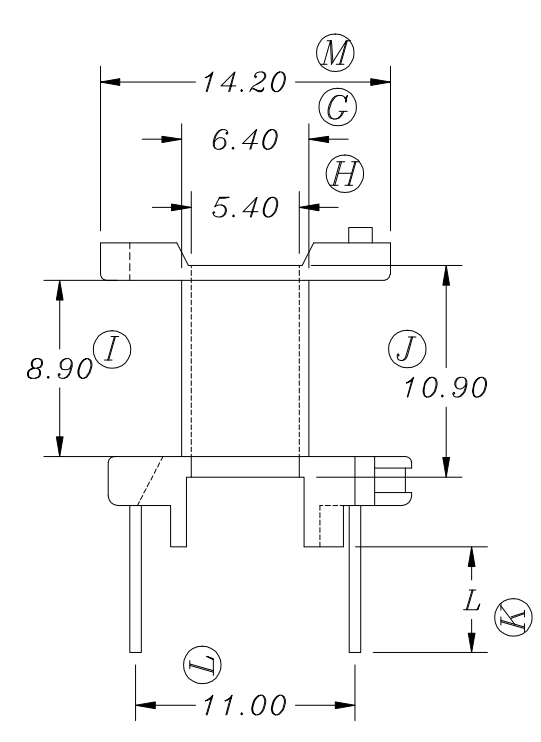
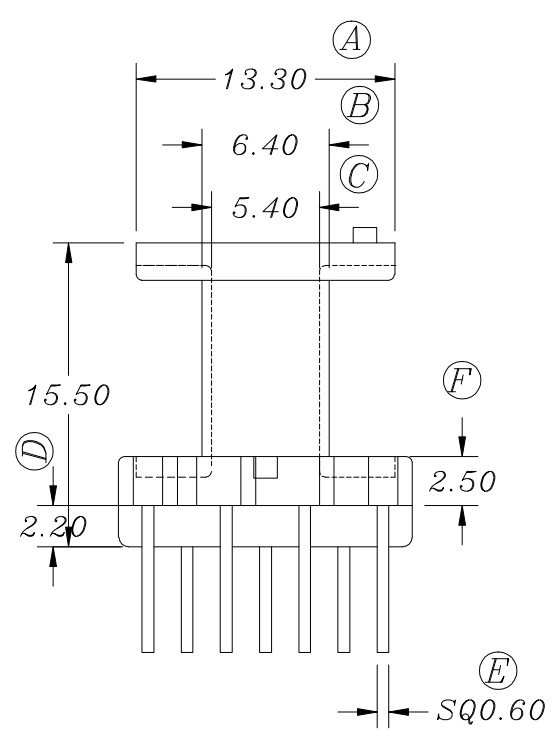


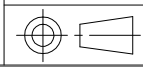
ZX-19BG



REV.	REVISIONS	REC.	DATE	REV.	REVISIONS	REC.	DATE
1				4			
2				5			
3				6			
DRAWN & DRAFTED BY		LIU WEI QIANG		TOLERANCES		ANGLE: $\pm 1^\circ$	
CHECKED & APPROVED BY		ZHANG YONG		0 < L ≤ 4 ±0.1		pin pitch	
				4 < L ≤ 16 ±0.2		UNIT: MM	
				16 < L ≤ 63 ±0.3		TITLE: EE-19(3+4P)	
				SCALE:		BOBBIN MATERIAL: PHENOLIC	
				DATE: 2018.12.08		UL REC. UL 94V-0	
				DRAWING NO. ZX-19BG		PIN TENSION LOAD: 1.0KG MIN	
				REV. A01			



智信电子塑胶有限公司  
ZHI XIN ELECTRONICS PLASTIC CO., LTD.  
TEL:0769-86389901-2 FAX:0769-86389903



DATE: 2018.12.08

DRAWING NO. ZX-19BG

REV. A01