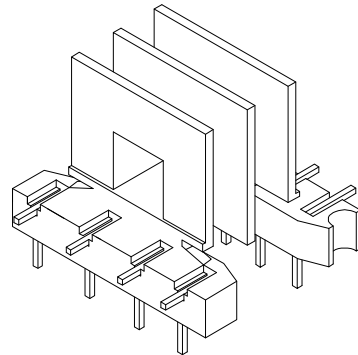
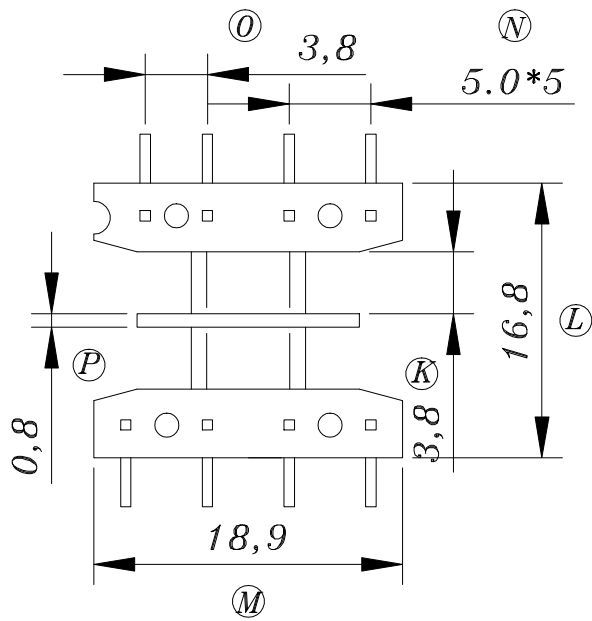
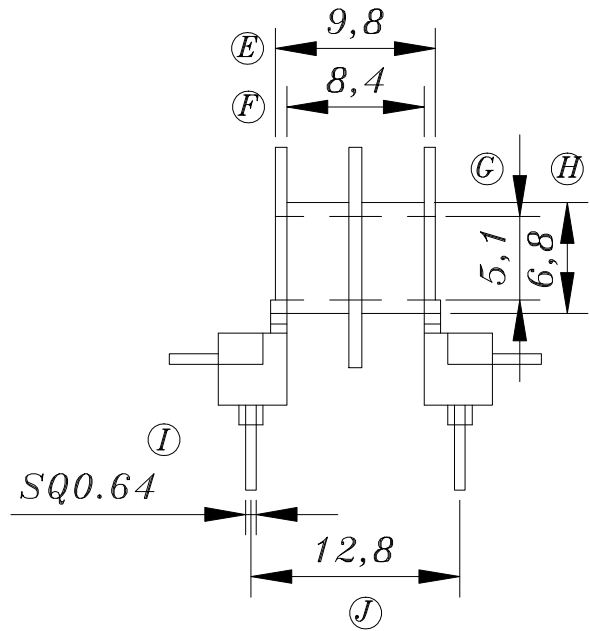
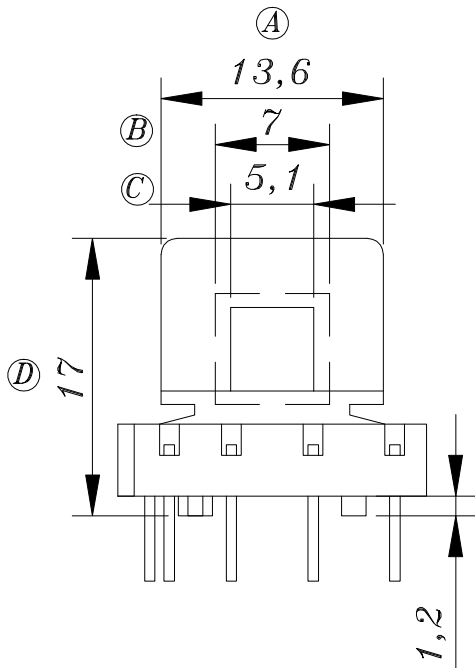


ZX-19BF



REV.	REVISIONS REC.		DATE	REV.	REVISIONS REC.		DATE
1				4			
2				5			
3				6			
DRAWN & DRAFTED BY		LIU WEI QIANG		TOLERANCES		ANGLE: $\pm 1^\circ$	
CHECKED & APPROVED BY		ZHANG YONG		$0 < L \leq 4 \pm 0.1$ $4 < L \leq 16 \pm 0.2$ $16 < L \leq 63 \pm 0.3$		pin pitch ± 0.2 TITLE: EE-19(4+4P)	
				UNIT:	MM	BOBBIN MATERIAL:	PBT
				SCALE:		PIN MATERIAL:	CP WIRE
						PIN TENSION LOAD:	UL REC. UL 94V-0 1.0KG MIN
智信电子塑胶有限公司 ZHI XIN ELECTRONICS PLASTIC CO., LTD. TEL:0769-86389901-2 FAX:0769-86389903				DATE:	2018.12.08	DRAWING NO.	ZX-19BF
						REV.	A01