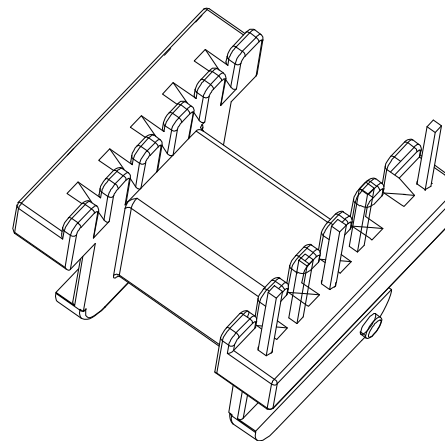
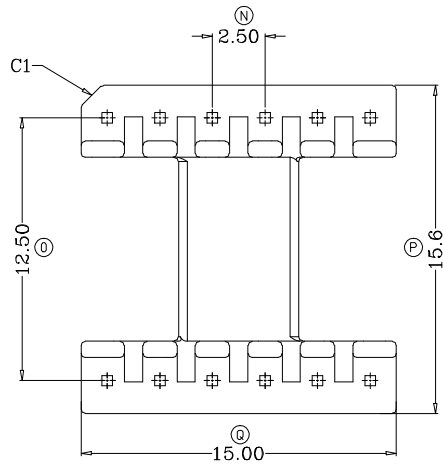
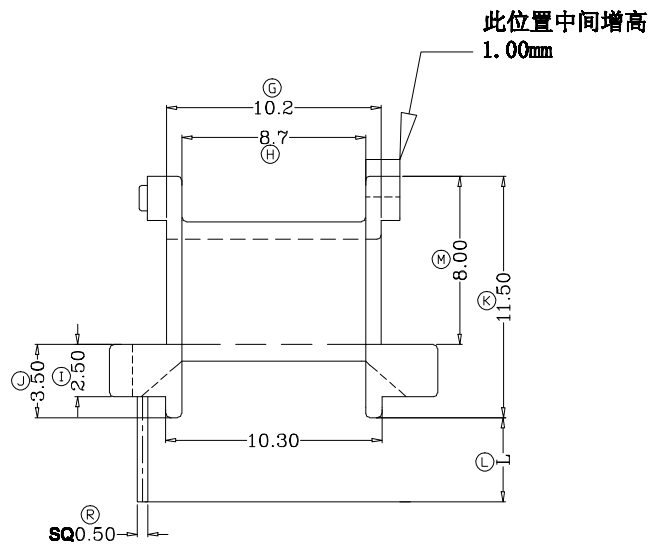
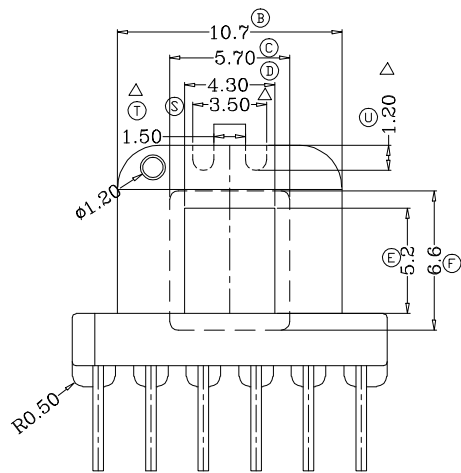
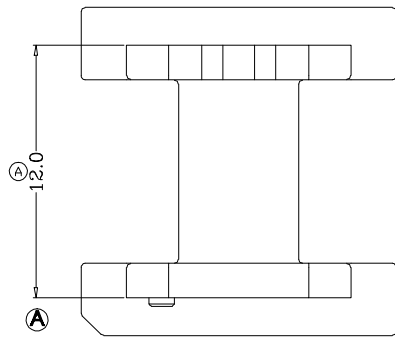


ZX-16AE1



REV.	REVISIONS	REC.	DATE	REV.	REVISIONS	REC.	DATE
1	③①②	此3个尺寸是增加出线槽		4			
2				5			
3				6			
DRAWN & DRAFTED BY		LIU WEI QIANG	TOLERANCES		ANGLE:	TITLE: EE-16(6+6P)	
CHECKED & APPROVED BY		MA BU JIAN	0<L≤4 ±0.1	pin pitch ±0.2	±1°	UL REC. UL 94V-0	
			4<L≤16 ±0.2		UNIT: MM	BOBBIN MATERIAL: PHENOLIC	PIN TENSION LOAD: 1.0KG MIN
			16<L≤63 ±0.3	SCALE:	PIN MATERIAL: CP WIRE	DRAWING NO. ZX-16AE1	
ZXE 智信电子塑胶有限公司		ZHI XIN ELECTRONICS PLASTIC CO., LTD.		DATE: 2014.06.03	REV. A01		
TEL:0769-86389901-2		FAX:0769-86389903					